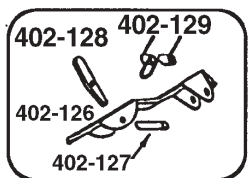


# MODELS

50 RA  
50 RAC  
50 RAW  
50 RAD

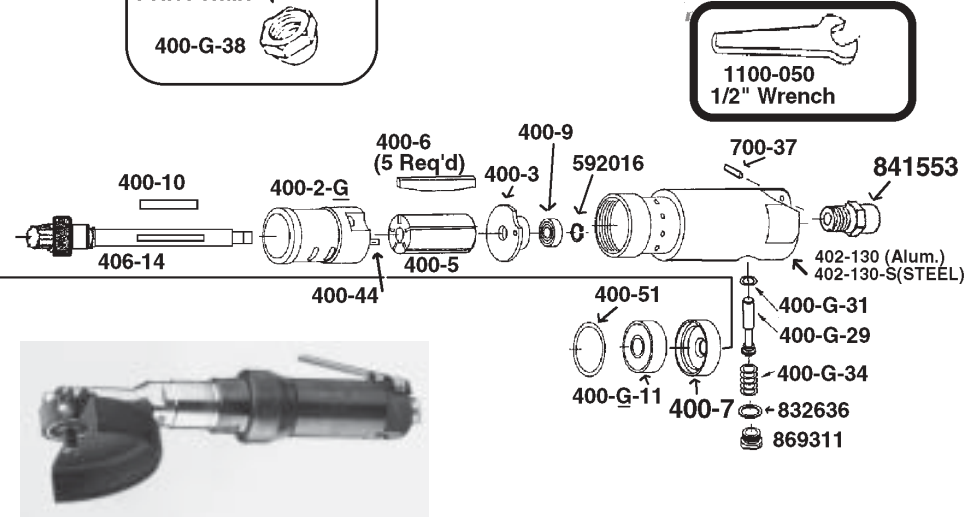
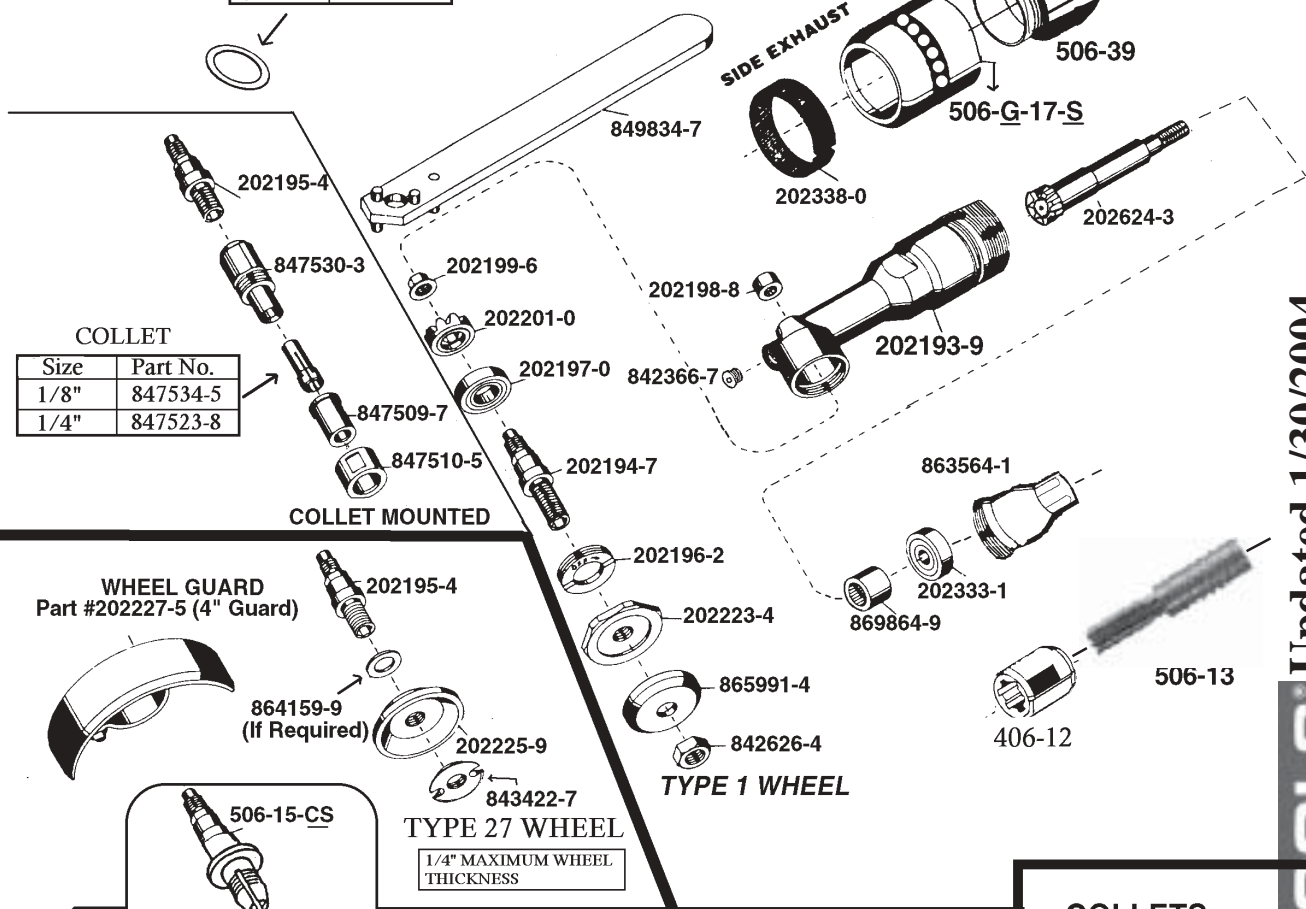


**SAFETY LEVER ASSEMBLY**



**HEAD POSITIONING SPACERS**

Thickness	Part No.
.005"	863926-2
.020"	869560-3



**COLLETS**

Part No.	Size
847811-7	1/4"
847805-9	3/8"

**INTEGRAL COLLET (200 SERIES)**

202859-5

Note Size of collet

847803-4

202860-3

Updated 1/30/2004 HENRY A B TOOLS